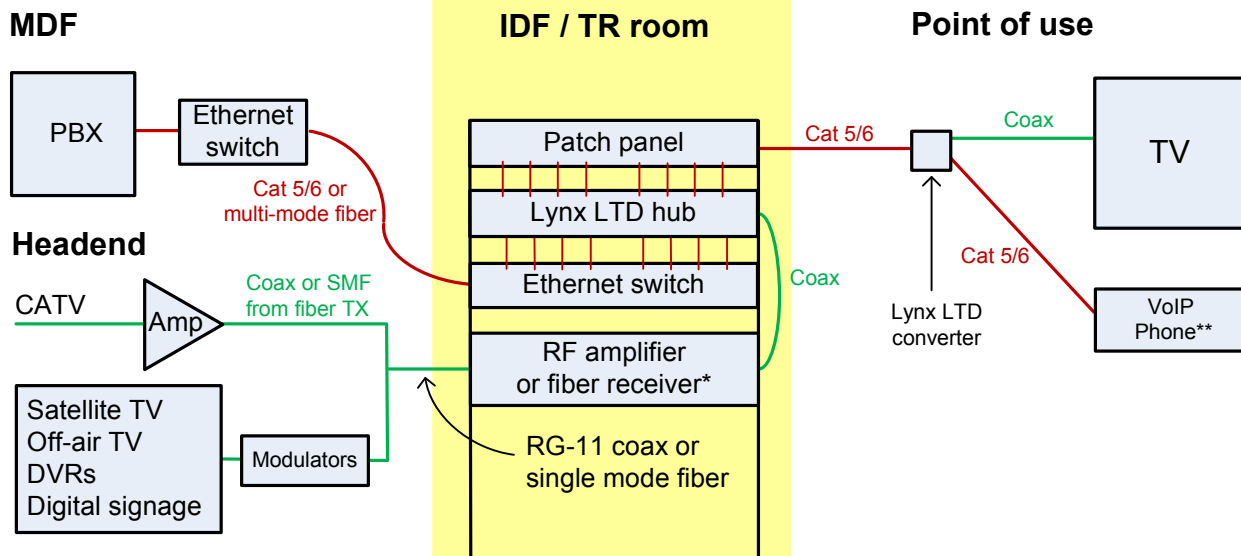


# Layout for Lynx Television and Data Network – VoIP Application



\* One amplifier typically supports up to three 8 port hubs (24 TVs) . The standard amp offered by Lynx is not rack mountable, but rack mounted amps can be purchased from others. Fiber receivers support one, two, or three 8 port hubs depending on the output of the receiver and the distances and frequencies for the specific application.

\*\* The VoIP phone can be powered by POE that is 802.3af compliant and operates at 100 Mbps.