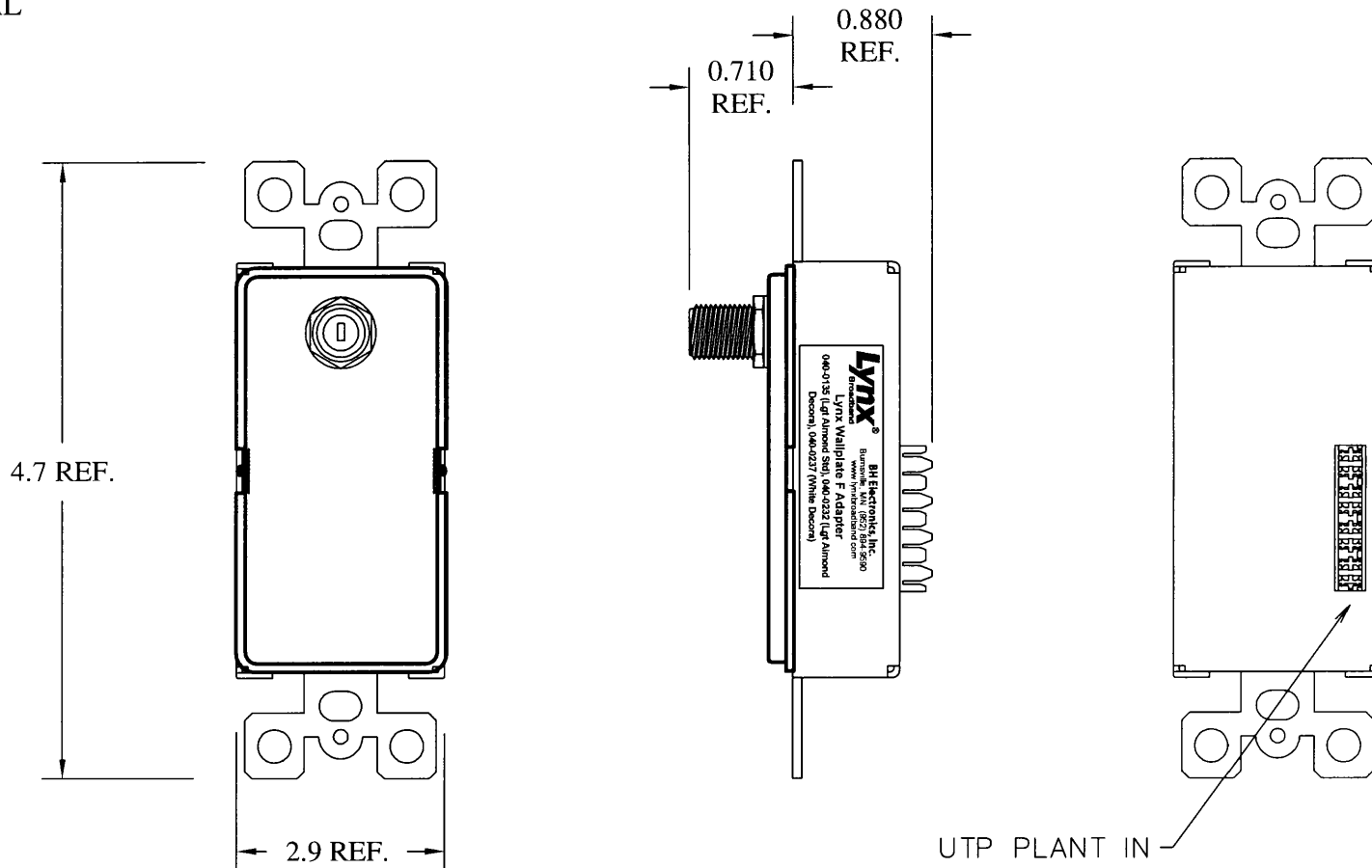



MECHANICAL



COLOR: LIGHT ALMOND DECORA

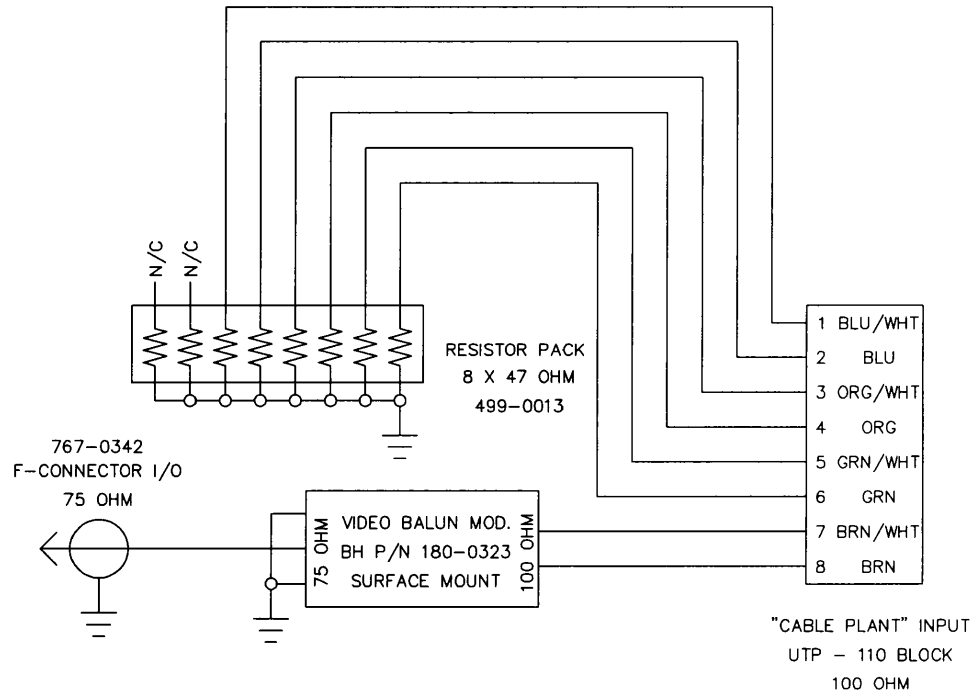
				DESIGN PER:	BH CATALOG	 BH ELECTRONICS, INC. BURNSVILLE & MARSHALL, MN © 1998 BH Electronics
				<input type="checkbox"/> CUSTOM	NON-PROPRIETARY <input checked="" type="checkbox"/>	
				DRAWN:	K. LOFTUS	TITLE: Lynx[®] LV WALL PLATE F DÉCORA LIGHT ALMOND
				ENGR:	B. GASS	
A	11-4-08	CUSTOMER PRINT	B.G.	UNLESS OTHERWISE SPECIFIED: DIMENSIONS IN INCHES, TOLERANCES NON-CUMULATIVE .XX±.01 .XXX±.005		PART NO. 040-0232
ISSUE	DATE	REVISION	BY			


SCHEMATIC

ELECTRICAL SPECIFICATIONS
INSERTION LOSS: <2dB 5MHz - 250 MHz
 <3dB 250MHz - 550MHz
 <4dB 550 MHz - 860 MHz

RETURN LOSS: >10dB 5 MHz - >17.56dB 25 MHz
 >17.5dB 25MHz - 200MHz
 >17.5dB 200 MHz - >10dB 300MHz
 >10dB 300MHz - 860 MHz
 (100 OHM RESISTIVE TERMINATION)

DC RESISTANCE: 39.9 - 54.0 OHMS
 PIN 1 TO F-CONNECTOR
 PIN 2 TO F-CONNECTOR
 PIN 6 TO F-CONNECTOR
 PIN 3 TO F-CONNECTOR
 PIN 4 TO F-CONNECTOR
 PIN 5 TO F-CONNECTOR



				DESIGN PER:	BH CATALOG	 BH ELECTRONICS, INC. BURNSVILLE & MARSHALL, MN © 1998 BH Electronics
				<input type="checkbox"/> CUSTOM	NON-PROPRIETARY <input checked="" type="checkbox"/>	
				DRAWN:	K. LOFTUS	TITLE: Lyn [®] LV WALL PLATE F DECORA LIGHT ALMOND
				ENGR:	B. GASS	
				UNLESS OTHERWISE SPECIFIED: DIMENSIONS IN INCHES, TOLERANCES NON-CUMULATIVE .XX±.01 .XXX±.005		PART NO. 040-0232
A	11-4-08	CUSTOMER PRINT				
ISSUE	DATE	REVISION	BY			
				PAGE 2 OF 2		