



The Bobcat™ - AVIR

- Composite video, stereo audio, and IR control on Cat 5 cable
- Distributes satellite and cable TV from set top boxes to remote TVs
- More flexible and attractive than other cabling alternatives

The Bobcat - AVIR delivers composite video, stereo audio, and infra-red control signals on Category 5 or Category 6 cable. It is ideal for sending satellite or cable TV from central satellite receivers (or cable set top boxes) to remote TVs using the structured cabling system rather than coax. The infra-red return path sends channel selection and other remote control signals back to the set top box.

A Bobcat / Cat 5 network is easier and less expensive to install than a traditional coax system. Coax is only needed between the satellite dish and the wiring closet, where the receivers (or set top boxes) are located. The composite video and stereo audio from each receiver go

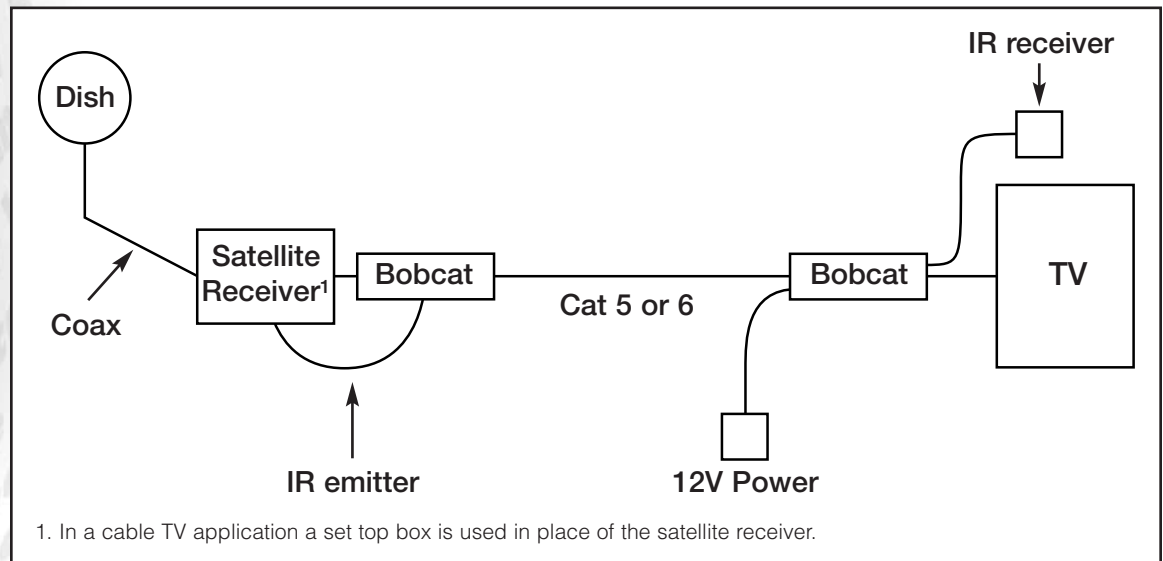
to a Bobcat, then to a patch panel, and then to the point of use. Then a second Bobcat converts each signal back to coaxial form for input to the TV. (See drawing on other side.)

A Bobcat network offers more flexibility than a coaxial network because additional TVs can be added at any location where Cat 5 cable is available. It is also more attractive than a coaxial network because the receivers are removed from the viewing area.

The Bobcat - AVIR has distance capabilities up to 330 feet and is compatible with IR emitters and receivers manufactured by several companies.

Applications

The Bobcat™-AVIR is designed for hospitals, hotels, businesses, law firms, schools, apartments, and residential applications. A typical system is outlined below.



Equipment Specifications and Options

Part number 040-0139: Send unit at the set top box

Part number 040-0153: Receive unit at the TV

Video: DC to 6 Mhz. Insertion loss < 1 dB.

Audio: 300 Hz to 20 KHz. Insertion loss < 3.2 dB.

Pin configuration: Composite video on pins 1 and 2, stereo audio on pins 3 to 6, IR on pins 7 and 8.

Infra-red: 12V DC power. 100 mA DC maximum current.

Ancillary Equipment

The Bobcat – AVIR can be used with the Xantech® 291-80 receiver or the 490-90 receiver. The 291-80 is resistant to most IR interference from fluorescent lights. The 490-90 is a high end receiver designed for plasma TVs. It is resistant to most IR interference from plasma screens, sunlight, and fluorescent lights. The Bobcat is also compatible with the Xantech 283M emitter and the 781RG power supply.

The Bobcat - AVIR can also be used with IR receivers and emitters that are equipped with 3.5 mm mini plugs and offered by other manufacturers.

Xantech is a registered trademark of Xantech Corporation.

www.lynxbroadband.com

Lynx[®]
Broadband

BH Electronics

12219 Wood Lake Drive • Burnsville, MN 55337 • Phone: 952-894-9590 • Fax: 952-894-9380