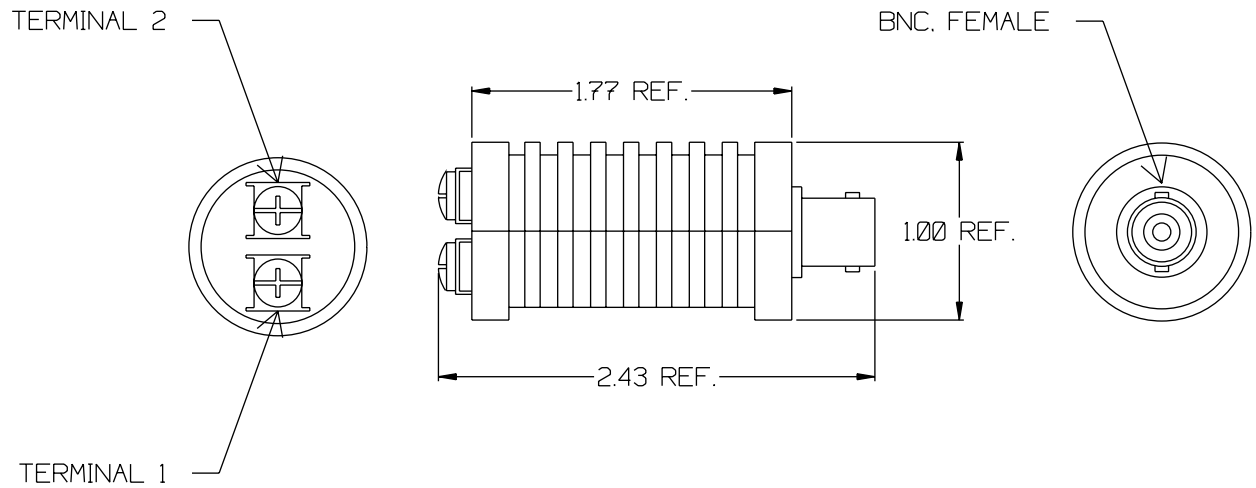


MECHANICAL:



ELECTRICAL:

- INSERTION LOSS: < 1.5 dB. 100kHz TO 10 MHz (PER PAIR)
- DC RESISTANCE: < 1 OHM
 TERMINAL 2 TO BNC SHELL
 TERMINAL 1 TO BNC CENTER
- HIPOT: 250 VAC FOR 1 SECOND
 TERMINAL 1 TO TERMINAL 2

APPLICATION:

For use in security and surveillance systems using twisted pair wiring up to 1000 feet in length. (Product testing in specific applications is recommended.)

For more information go to - <http://www.lynxbroadband.com/>

BH® BH ELECTRONICS, INC.
 BURNSVILLE & MARSHALL, MN
 ©1998 BH Electronics

TITLE:
 Bobcat™ VIDEO BALUN

PART NO:	040-0121	DATE:	4/03
----------	----------	-------	------